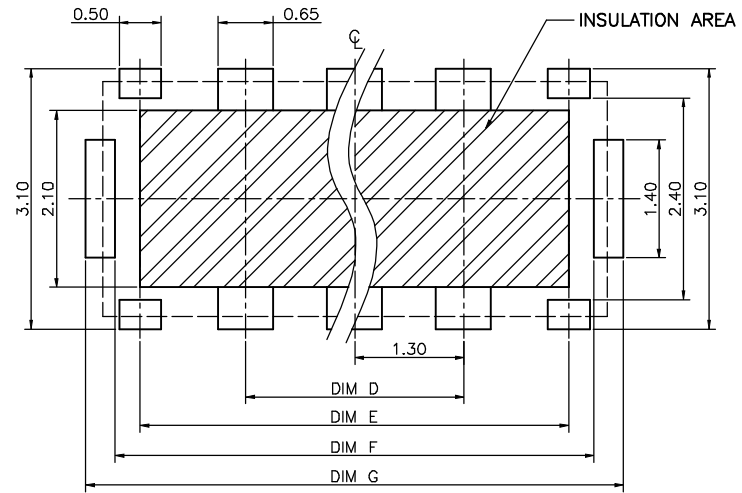
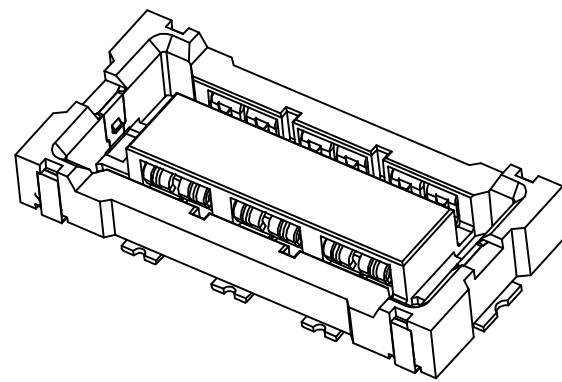
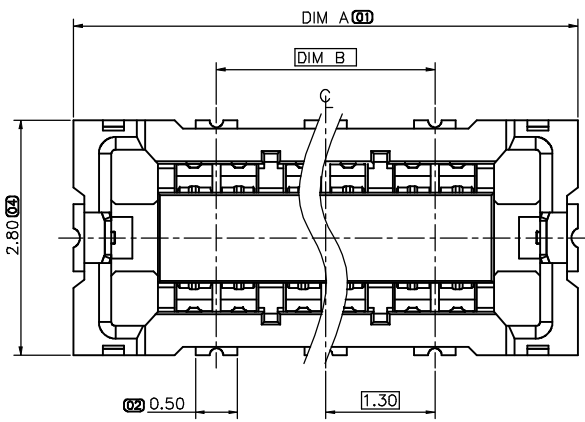
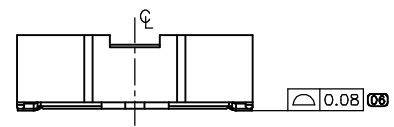
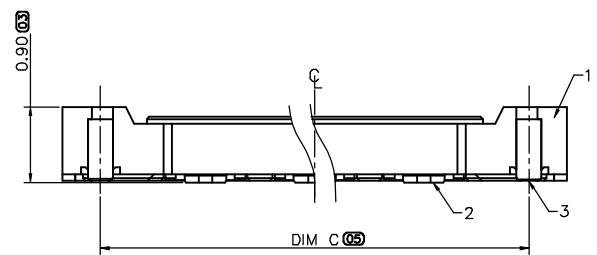


A3

REV	ECN NO	DESCRIPTION	DATE	APPD
X1		Initial Edition	2013.07.27	Bill Zheng



PCB LAYOUT TOLERANCE=±0.03mm



8	5.028A0-008-4R0	7.30	6.40	6.40	3.90	6.40	7.00	7.70
6	5.028A0-006-4R0	6.00	5.10	5.10	2.60	5.10	5.70	6.40
4	5.028A0-004-4R0	4.70	3.80	3.80	1.30	3.80	4.40	5.10
Pin No.	P/N	DIM A	DIM B	DIM C	DIM D	DIM E	DIM F	DIM G

NOTES:

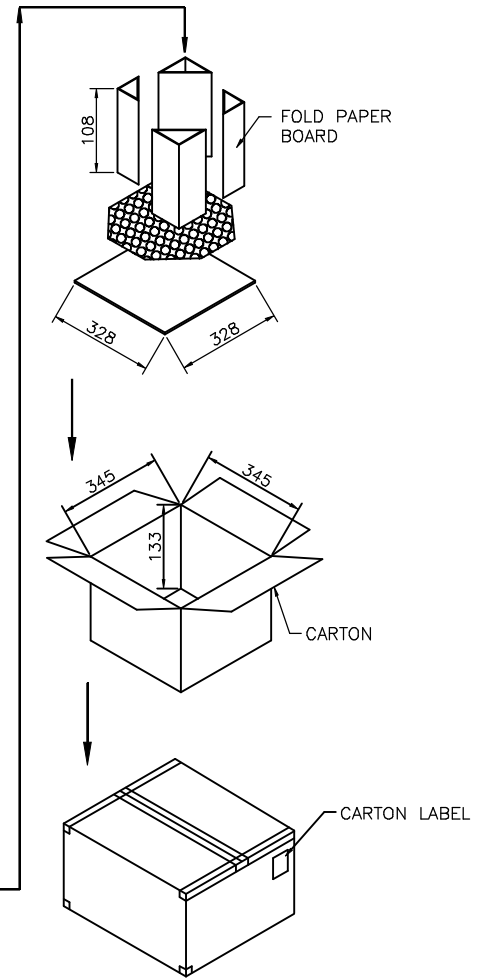
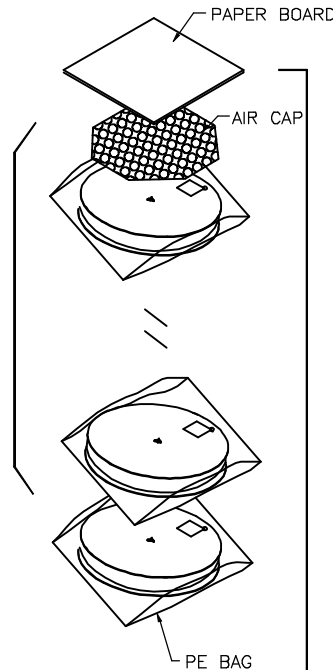
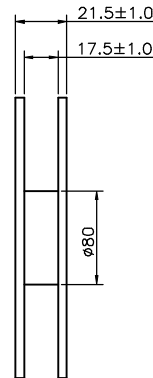
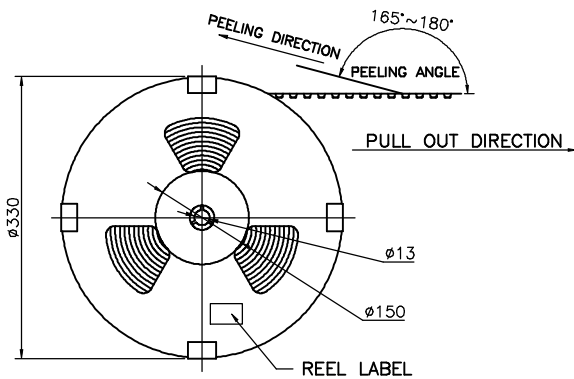
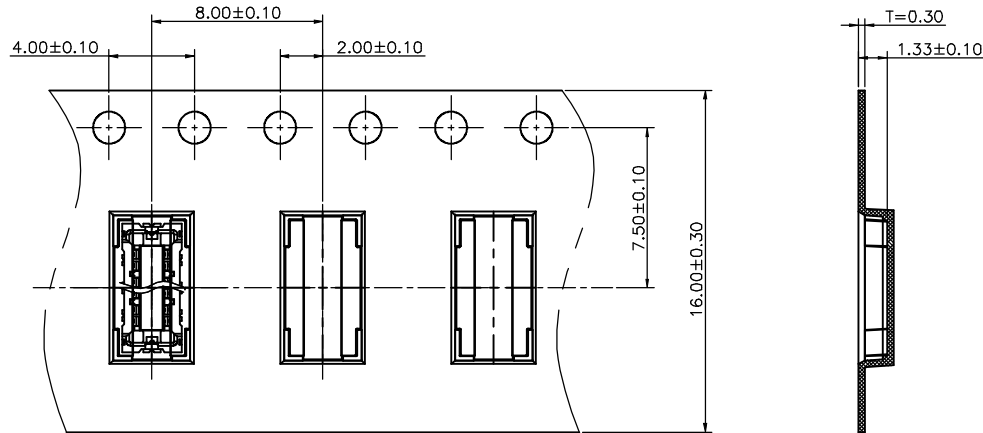
- MATERIAL:
1-1.HOUSING: THERMOPLASTIC,COLOUR: BLACK.
1-2.CONTACT: COPPER ALLOY.
1-3.HOLD DOWN: COPPER ALLOY.
- FINISH:
2-1. CONTACT: NICKEL PLATING OVERALL,Au 2u" MIN PALTING AT SOLDER AREA, Au 15u" MIN AT CONTACT AREA.
2-2. HOLD DOWN: NICKEL PLATING OVERALL,Au 2u" MIN PLATING AT SOLDER AREA.
- COPLANARITY: 0.08MAX.
- THE PRODUCT IS COMPLIANT WITH FAF ENVIRONMENT PROCEDURE REQUIREMENT.

3	HOLD DOWN	2	COPPER ALLOY	NICKEL PLATING OVERALL Au PLATING AT SOLDER AREA
2	CONTACT	6	COPPER ALLOY	NICKEL PLATING OVERALL Au PLATING AT CONTACT AREA
1	HOUSING	1	THERMOPLASTIC	MOLDED BLACK,UL94 V-0
ITEM	DESCRIPTION	Q'TY	MATERIAL	FINISH

EXTEND	USE	TITLE	FAF	
1.3 Pitch FTB 0.9H F-CONN	UNIT mm	5.028A0 CONNECTOR Customer Drawing	DWG NO C-5.028A0	
GENERAL TOLERANCE	MATERIAL	APPD Bill Zheng 2013.07.27	P/N:	
DIMENSION	ANGLES	CHD David Wang 2013.07.27	SEE TABLE	
. ±0.30	. ±3°	DRN Rico Wang 2013.07.27	SHEET SCALE REV	
.0 ±0.25	.0 ±2°		1/2	1:1
.00 ±0.20	.00 ±1°			X1
.000 ±0.10				

A3

REV	ECN NO	DESCRIPTION	DATE	APPD
		SEE SHEET 1/2		

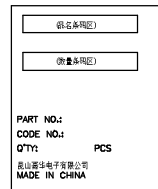


NOTES:

1. THE DIRECTION OF EACH CONNECTOR ON A EMBOSS IS REFERRED TO THIS DRAWING.
2. GENERAL TOLERANCE: ± 0.5 , $\pm 3'$.
3. PEELING RESISTANCE: $0.1N(10.2gf) \sim 0.7N(71.4gf)$; PEELING ANGLE: $165^\circ \sim 180^\circ$; PEELING SPEED: 300mm/MIN
4. PACKING QUANTITY: 5000PCS/REEL, 20000PCS/CARTON.



REEL LABEL



CARTON LABEL

INFORMATIONS OF THE PACKING

TITLE	P/N	Q'TY/REEL	Q'TY/CARTON
5.028A0 CONNECTOR	5.028A0-***-1R0	5000PCS	20000PCS

EXTEND USE FTB 1.3 Pitch FTB 0.9H F-CONN	UNIT mm	TITLE 5.028A0 CONNECTOR Customer Drawing	DWG NO C-5.028A0
		APPD Bill Zheng 2018.07.27	
GENERAL TOLERANCE	MATERIAL	CHD David Wang 2018.07.27	P/N: SEE TABLE
DIMENSION .0 ±0.30 .0 ±0.25 .00 ±0.20 .000 ±0.10	ANGLES ±3' .0 ±2' .00 ±1'	FINISHED DRN Rico Wang 2018.07.27	
		SHEET 2/2	SCALE 1:1
		REV X1	